

Dealer

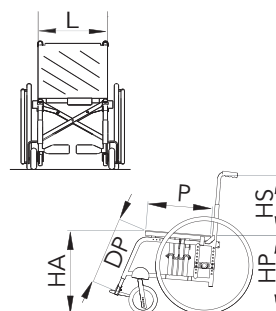
**Key**

standard

option

**ALTHEA**

<b>L</b> Seat width	<input type="checkbox"/> 34 <input type="checkbox"/> 36 <input type="checkbox"/> 38 <input type="checkbox"/> 40 <input type="checkbox"/> 42 <input type="checkbox"/> 44 <input type="checkbox"/> 46 <input type="checkbox"/> 48 <input type="checkbox"/> 50 <input type="radio"/> 52 <input type="radio"/> 56 <input type="radio"/> 60 (including eventual stretched bar, tension adj. upholstery & cover f/footplate according to setup)
<b>P</b> Seat depth Adjustable up to 6 cm(max. 50 cm)	<input type="checkbox"/> 36 <input type="checkbox"/> 38 <input checked="" type="checkbox"/> 40 <input type="checkbox"/> 42 <input type="checkbox"/> 44 <input type="checkbox"/> 46 <input type="radio"/> 48 <input type="radio"/> 50
<b>HS</b> Back-rest height	<input type="checkbox"/> 29 <input type="checkbox"/> 31 <input type="checkbox"/> 33 <input type="checkbox"/> 35 <input type="checkbox"/> 37 <input type="checkbox"/> 39 <input type="checkbox"/> 41 <input type="checkbox"/> 43 <input type="checkbox"/> 45 <input type="radio"/> 47 <input type="radio"/> 49 <input type="radio"/> 51 <input type="radio"/> 55 <input type="radio"/> 60 (stretched bar is included)
<b>HA</b> Front seat/floor height	<input type="checkbox"/> 42 <input type="checkbox"/> 43 <input type="checkbox"/> 44 <input type="checkbox"/> 46 <input type="checkbox"/> 48 <input checked="" type="checkbox"/> 50 <input type="checkbox"/> 52 <input type="radio"/> 54
<b>HP</b> Rear seat/floor height	<input type="checkbox"/> 38 <input type="checkbox"/> 40 <input type="checkbox"/> 42 <input type="checkbox"/> 44 <input checked="" type="checkbox"/> 46 <input type="checkbox"/> 48 <input type="checkbox"/> 50
<b>DP</b> Foot-rest/seat distance (from 17 to 32 cm foot-rest mounted on the frame, not possible with plastic footrests)	<input type="checkbox"/> 34 <input type="checkbox"/> 35 <input type="checkbox"/> 37 <input type="checkbox"/> 39 <input type="checkbox"/> 41 <input type="checkbox"/> 43 <input type="checkbox"/> 45 <input type="checkbox"/> 47 <input type="checkbox"/> 49 <input type="checkbox"/> 51



**Frame colour** ①

Metallic blue  Pearl red  Metallic grey  Matte black  
 Pearl white  Shiny black  Neon green  Neon orange  
 ..... (see "Colours" catalogue)

**Upholstery** ②

Nylon (max up to L 50)  
 Tension adj. nylon. back  
 Tension adj. breath. back  
 Without back-rest  
 With divided seat (joint by velcro - std)  
 With one entire seat (not depth adjustable)

**Upholstery colour** ③

★ (Coloured uphol. only with nylon)

Black  
 Red★  Orange★  
 Light blue★  Green★  
 Cornflower blue★

**Not Detachable foot-rest** ④

**Detachable foot-rest 82° angle** ④  
(DP 41 cm)  
(82° footrests do not allow any 175 front castors)

**Detachable foot-rest 68° angle** ④  
(DP 41cm)

**Elevating foot-rest (detachable)** ④

**Plastic separate** ⑤  
(only L = from 34 to 56 cm)

Cover f/footplates \*  
 Foot-holding belts (L50max)  
 Heel stops (L50max)  
 (\* eventual cover included f/L 52 to 60)

**Separate aluminium profile tilt adjustable foot-plates:** ⑥

forward  backward

Foot-holding belts (L50max)  
 (\* eventual cover included f/L 52 to 60)

**Single aluminium profile tilt adjustable foot-plate:** ⑦  
(not available with elevating foot-rest)

forward  backward

Foot-holding belts  
 Heel stops

**Automatic closure foot-plate in carbon** ⑧  
(not available with detachable or elevating foot-rest; only L= from 36 to 46 cm)

Foot-holding belts

**Side guards** ⑨

Plastic

Aluminium (same colour)

**Detachable Desk arm-rest - h 22 cm tip-up** ⑩

Open H22 with sideguard (only if HP > 42 cm)  
 Open H27 with sideguard (if HP ≤ 42cm)  
 Closed H22 (from HP40/R24"x1 only if without any table fastenings)  
 Closed H27 cm from seat (compulsory for HP=42cm&R24")

**Elbow-rest**

Classic (23 cm long)  
 Straight (26 cm long)  
 Tubular (only if open armrest)  
 Hemiplegic RX  
 Hemiplegic LX

**Detachable Sport arm-rest - h 22 cm tip-up** ⑪

Open H22 with sideguard (only if HP > 42 cm)  
 Open H27 with sideguard (if HP ≤ 42cm)  
 Closed H22 (from HP40/R24"x1 only if without any table fastenings)  
 Closed H27 cm from seat (compulsory for HP=42cm&R24")

**Elbow-rest**

Classic (23 cm long)  
 Straight (26 cm long)  
 Tubular (only if open armrest)  
 Hemiplegic RX  
 Hemiplegic LX

**Detachable "U" arm-rest - h 22 cm tip-up** ⑫

Open H22 with sideguard (only if HP > 42 cm)  
 Open H27 with sideguard (if HP ≤ 42cm)  
 Closed H22 (from HP40/R24"x1 only if without any table fastenings)  
 Closed H27 cm from seat (compulsory for HP=42cm&R24")

**Elbow-rest**

Straight (26 cm long)  
 Straight (36 cm long)  
 Tubular (only if open armrest)  
 Hemiplegic RX  
 Hemiplegic LX

**Height adjustable tip-up arm-rest (only closed)** ⑬

Desk model  
 Sport model  
 "U" model

**Elbow-rest**

Classic (30 cm long)  
 Classic (36 cm long)  
 Straight (26 cm long)  
 Straight (36 cm long)  
 Hemiplegic RX  
 Hemiplegic LX

Dealer

**Rear wheels** (14)

24" 36 spokes  12" solid\*  
 22" 36 spokes  12" pneumatic\*  
 20" 36 spokes (\* N.A. if HP=42 if HP44: only curved rear frame)  
 24" MTB citybike tyre  
 24" MTB offroad tyre  
 24" Light (24 spokes)

Pneum. Plugged (x 1.3/8") **Tyres**  
 Plugged  Smooth Pneum. high press.  
 Solid x 1.3/8"  
 Solid KIK 24"  
 24" Pneum. Marathon Plus

**Pushrims** (15)

Aluminium silver  
 Chromium-plated steel 24"  
 Aluminium dark  
 Rubber coated  
 Carbolife CURVE L 24"(\*)  
 OVAAL silver alum. (\*)  
 OVAALS dark alum. (\*)  
 OVAALG dark w/sil. insert (\*)  
 Carbolife GEKKO 24" (\*)  
 Silicon covers 24"  
 (\*) not available with MTB wheels

**Spoke guards** (16)

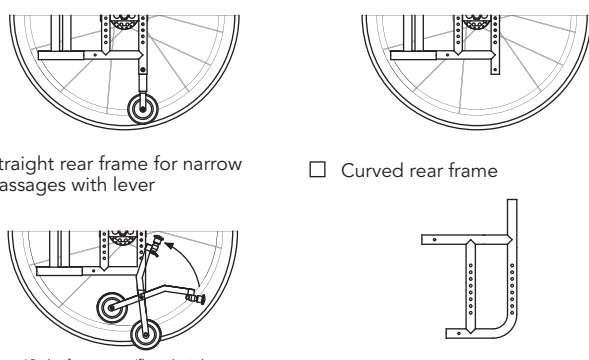
Transparent  
 Black  
 Fantasy  
 code pattern: .....  
 (see catalogue of spokeguards)

**Front castors** (17)

100 (4"x1.1/4) solid - plastic rim  
 100 (4"x1.1/4) solid - alum. rim  
 125 (5"x1.1/4) solid - plastic rim  
 125 (5"x1.1/4) solid - alum. rim  
 150 (6") pneumatic  
 150 (6") solid  
 175 (7") solid \*\*  
 175 (7") pneumatic \*\*  
 (\*\*) only if HA 48cm as minimum and 68° detach. foot.

**Rear frame** (18)

Straight rear frame w/small wheels for narrow passages - standard  
 Straight rear frame without any small wheels for narrow passages



Straight rear frame for narrow passages with lever  
 Curved rear frame

(Only if rear seat/floor height HP is between 44 and 48 cm)

**Unbalancing system** (19)

Right  Right  
 Left  Left  
 (Only with straight rear frame) (Only with curved rear frame)

**Anti-tip device** (Only with straight rear frame)

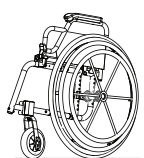
Right  
 Left

**Revolving anti-tip device** (Only with curved rear frame)

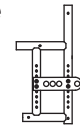
Right  
 Left

**Single drive** (20)

Right  
 Left

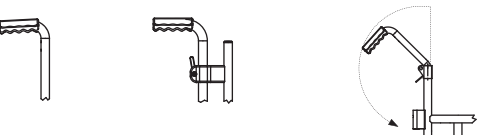


**Extended wheel plate** (21)



**Pushing handles** (22)

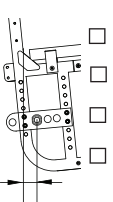
Standard  Height adjustable(\*)  Hinged back-rest(\*) (no stretched bar)



(\*) tension adj. upholstery is compulsory

**Distance between the hub centre and back-rest** (23)

-2 cm (ext. wheel plate)  
 3,5 cm  
 5,5 cm  
 7,5 cm

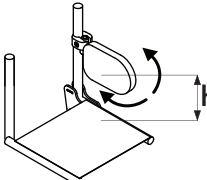


(with HP=44 cm)

**Adjustable swing away Lateral supports** (23)

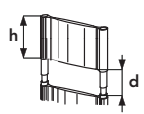
(tension adj. upholstery is compulsory)

Right  
 Left  
 Specify the height "h"  
 ..... cm



**Head-rest** (24)

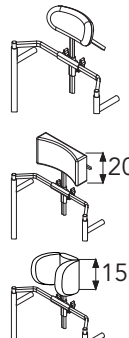
**Padded**



Fixed  
 Height adjustable  
 Specify "h" & "d" where requested  
 Standard: h = 20 cm d = 15 cm  
 h = ..... cm d = ..... cm

**Orbital**


Anatomic  Moulded  With lateral supports



**Table** (25)

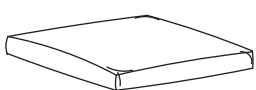
Transparent  
 Rx OLx Hemiplegic transp.  
 Plastic grey  
 Soft padded

Specify the fastening:  
 single  double



(Only with arm-rest) OXL if L>50cm

**Lined cushion in foam polyurethane** (28)



3 cm high  
 5 cm high

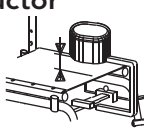
**Brakes** (26)

Classic - short handle  
 Classic - long handle  
 Drum  
 Right single brake  
 Left single brake  
 Drum+classic

**Options**

29  "M" velcro strip (hook) on seat  
 30  "F" velcro strip (loop) on seat  
 31  Seat/back-rest connection flap  
 32  Chest harness  
 33  Chest belt  
 34  Abductor belt  
 35  Front protective covers  
 36  Stretched bar  
 37  Catheter holder pocket  
 38  Umbrella holder  
 39  R O L Crutch hold./single  
 40  R O L Crutch hold./double

**Abductor** (27)



01  03  05  07 cm  
 ..... cm  
 Choose or specify the height from seat cover

**Options**

41  Pump for pneumatics  
 42  Suitcase holder  
 43  45° pelvic belt  
 44  45° padded pelvic belt  
 45  Black backpack  
 46  IV bar + poles  
 47  IV poles  
 48  Padded rigid cushion(L52max)  
 49  Padded rigid cushion(L56-60)  
 50  Quick rel. axles Ø 12mm (def.)  
 51  Quick rel. axles Ø 1/2" (12,7mm)  
 52  Cambered bushes length 42mm (def.)  
 53  Cambered bushes length 50mm  
 54  Stickers for car fastenings